

IV-503

LED Video Processor

IV-503 is a basic video processor accepts a wide variety of video signals, including DVI, VGA, HDMI, CVBS inputs and offers 3 outputs. It combines truly seamless, fade in fade out, glitch-free switching with advanced scaling technologies to meet the requirements of high quality, high resolution video applications.

IV-503 also launches the latest user-defined output resolution and coordinate, dual layer processing, multiple cascade mapping, chroma key features for high-end application.



Key features

- Seamless switch
- 5 input ports
- Cascade multiple units
- Output up to 2304*1152@60Hz
- PIP&PBP function
- Chroma KEY function
- Preset mode SAVE/RECALL
- One-Key Black screen
- Part/Full Screen mode
- Lock available for turn-key project
- Control software via RS232
- User-defined output resolution

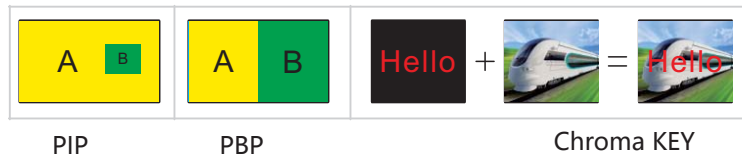
2K output

IV-503 features with 3 outputs (2 DVI and 1 VGA in clone mode). Two DVI outputs are connected to 2 pieces of TS802 or MSD 300.



PIP,PBP,KEY

IV-503 adopts two lays processing technology , PIP, PBP and chroma KEY functions are all supported in the output channel.

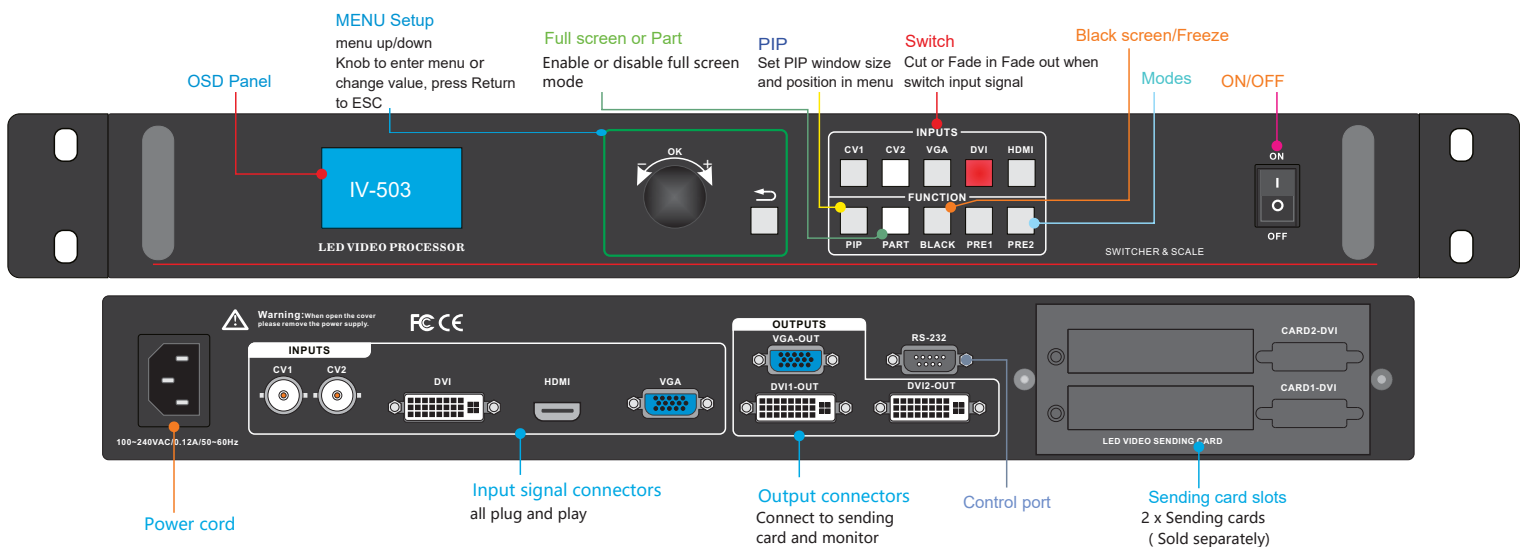


Seamless

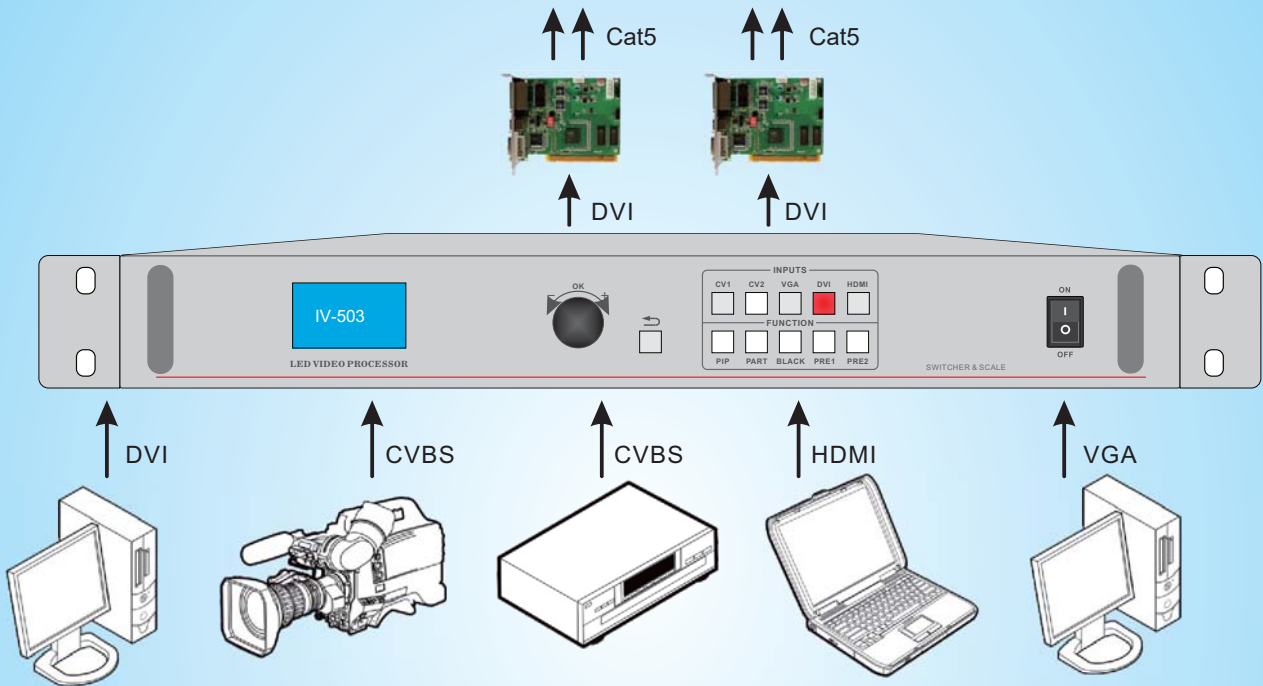
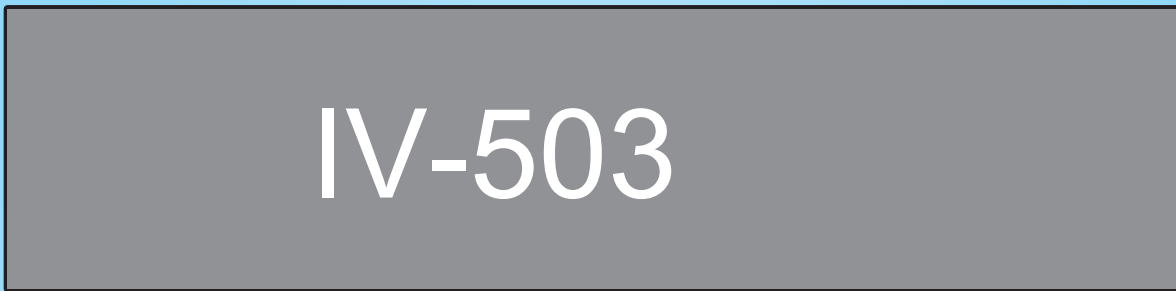
IV-503 supports fade input and fade out between all input channels



IV-503 front and rear panel



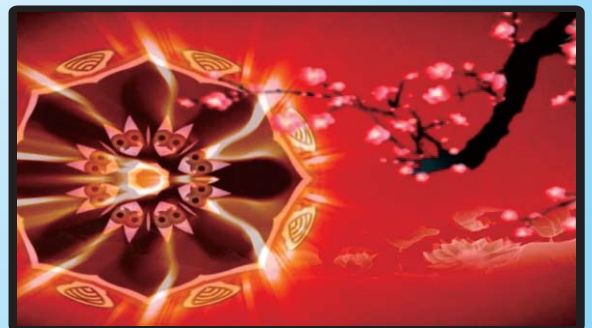
LED Screen-2560x816



Cropping feature



PART



HDMI input																	
Qty	1																
Connector	DVI-I																
Signal standard	DVI1.0 , HDMI1.3																
Supported resolutions	VESA , PC to 1920x1200 , HD to 1080p																
DVI input																	
Qty	1																
Connector	DVI-I																
Signal standard	DVI1.0 , HDMI1.3																
Supported resolutions	VESA , PC to 1920x1200 , HD to 1080p																
VGA input																	
Qty	1																
Connector	DB15																
Signal standard	R G、 B、 Hsync、 Vsync:0 to1Vpp±3dB (0.7V Video+0.3v Sync) 75 ohm black level : 300mV Sync-tip : 0V																
Supported resolutions	VESA , PC to 1920x1200																
Composite AV inputs																	
Qty	2																
Connector	BNC																
Signal standard	PAL/NTSC 1Vpp±3db (0.7V Video+0.3v Sync) 75 ohm																
Supported resolutions	480i,576i																
DVI/VGA video output																	
Qty	2DVI/1VGA																
Connector	DVI-I/DB15																
Signal standard	DVI : DVI1.0 VGA : VESA																
Supported resolutions	<table border="0"> <tbody> <tr> <td>1024×768@60Hz</td> <td>2048×640@60Hz</td> </tr> <tr> <td>1024×1280@60Hz</td> <td>1024×1920@60Hz</td> </tr> <tr> <td>1280×1024@60Hz</td> <td>1920×1280@60Hz</td> </tr> <tr> <td>1440×900@60Hz</td> <td>1280×720@50Hz</td> </tr> <tr> <td>1536×1536@60Hz</td> <td>1920×1080@50Hz</td> </tr> <tr> <td>1600×1200@60Hz</td> <td>2048×1152@60Hz</td> </tr> <tr> <td>1920×1080@60Hz</td> <td>2304×1152@60Hz</td> </tr> <tr> <td>1920×1200@60Hz</td> <td>2560×816@60Hz</td> </tr> </tbody> </table>	1024×768@60Hz	2048×640@60Hz	1024×1280@60Hz	1024×1920@60Hz	1280×1024@60Hz	1920×1280@60Hz	1440×900@60Hz	1280×720@50Hz	1536×1536@60Hz	1920×1080@50Hz	1600×1200@60Hz	2048×1152@60Hz	1920×1080@60Hz	2304×1152@60Hz	1920×1200@60Hz	2560×816@60Hz
1024×768@60Hz	2048×640@60Hz																
1024×1280@60Hz	1024×1920@60Hz																
1280×1024@60Hz	1920×1280@60Hz																
1440×900@60Hz	1280×720@50Hz																
1536×1536@60Hz	1920×1080@50Hz																
1600×1200@60Hz	2048×1152@60Hz																
1920×1080@60Hz	2304×1152@60Hz																
1920×1200@60Hz	2560×816@60Hz																
Others																	
Weight	3.5kg																
Size (mm)	Chassis size : 250 x 440 x 55 Max chassis size (Incl. mount) : (LxWxH) 250 x 483 x 55 mm Packing size : (LxWxH) 52x13x36 cm																
Voltage	100VAC-240VAC 50/60Hz																
Max consumption	12W																
Working temperature	0°C~45°C																
Storage Humidity	10%~90%																
Model	IV-503																